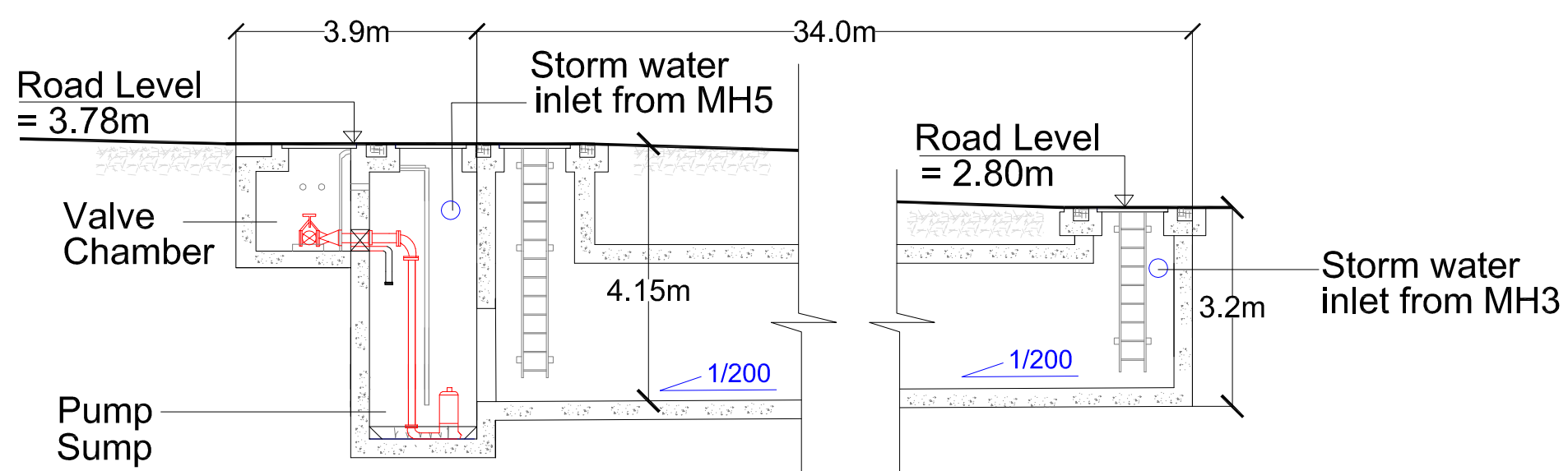
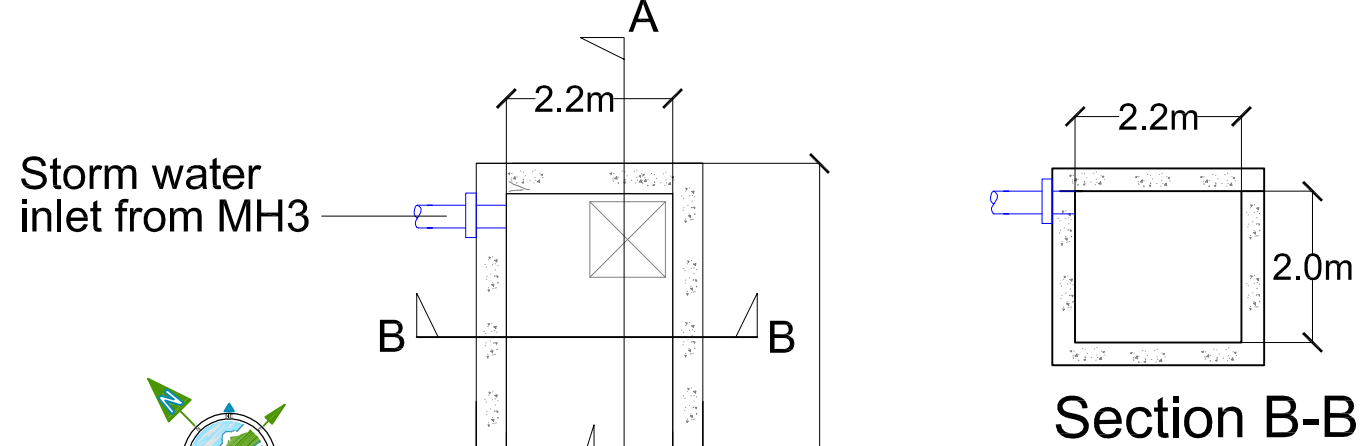


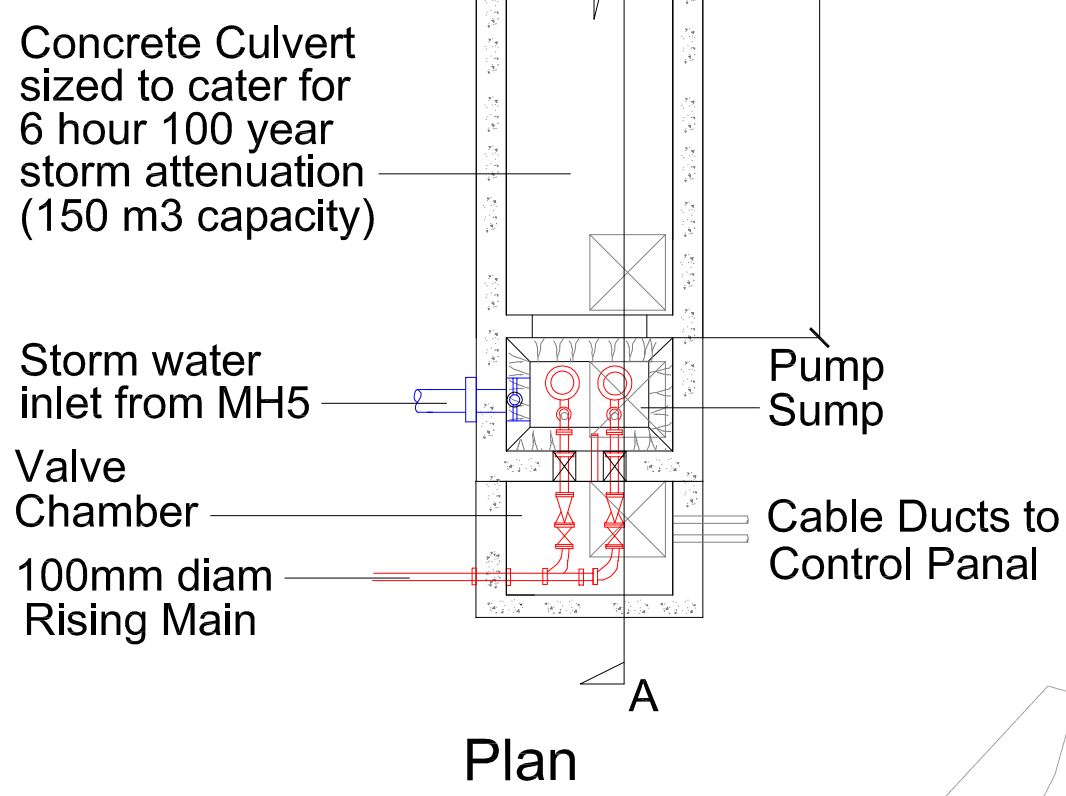
Longitudinal Cross Section
 Scale 1/1000 Horz., 1/200 Vert. (A3)
 1/500 Horz., 1/100 Vert. (A1)



Section A-A

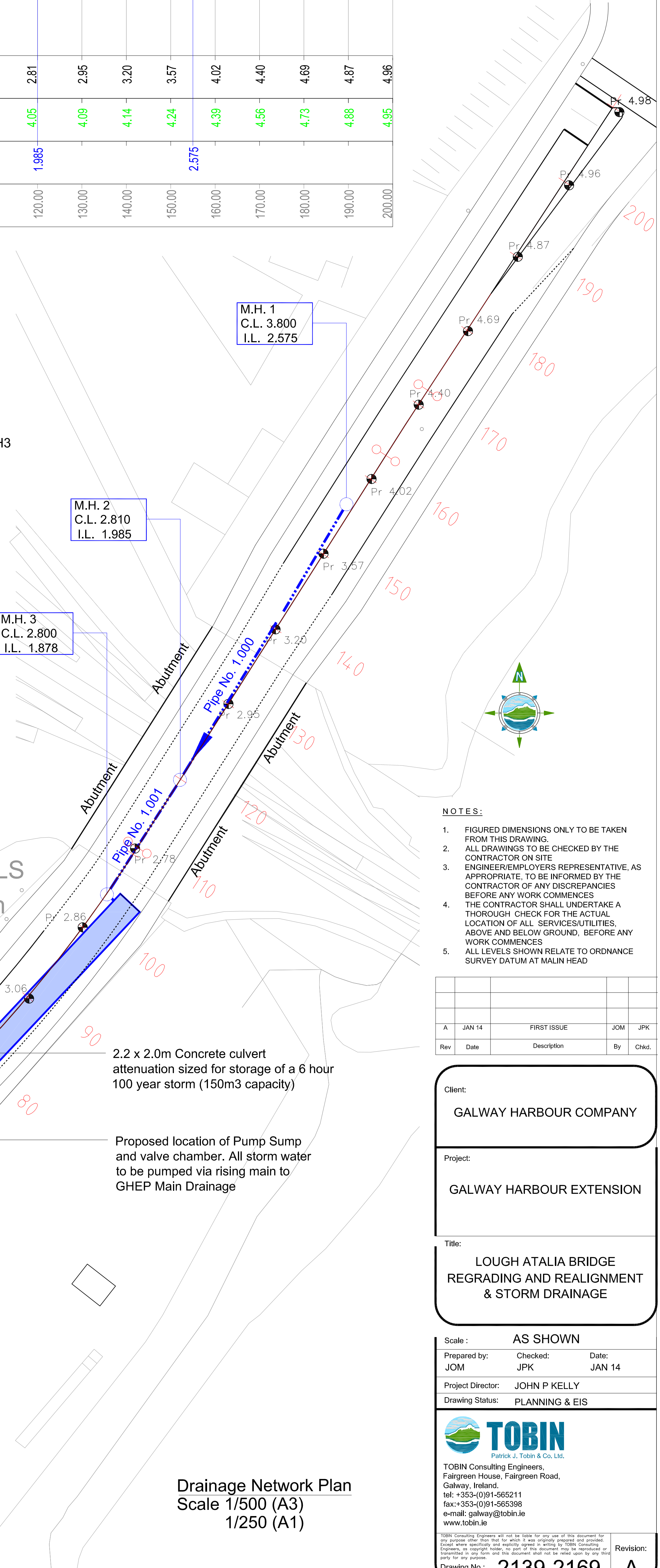


Section B-B



Plan

Pumping Station & Culvert Storage
 Scale 1/200 (A3)
 1/100 (A1)



NOTES:

- FIGURED DIMENSIONS ONLY TO BE TAKEN FROM THIS DRAWING.
- ALL DRAWINGS TO BE CHECKED BY THE CONTRACTOR ON SITE
- ENGINEER/EMPLOYERS REPRESENTATIVE, AS APPROPRIATE, TO BE INFORMED BY THE CONTRACTOR OF ANY DISCREPANCIES BEFORE ANY WORK COMMENCES
- THE CONTRACTOR SHALL UNDERTAKE A THOROUGH CHECK FOR THE ACTUAL LOCATION OF ALL SERVICES/UTILITIES, ABOVE AND BELOW GROUND, BEFORE ANY WORK COMMENCES
- ALL LEVELS SHOWN RELATE TO ORDNANCE SURVEY DATUM AT MALIN HEAD

Rev	Date	Description	By	Chkd.
A	JAN 14	FIRST ISSUE	JOM	JPK

Client:
GALWAY HARBOUR COMPANY

Project:
GALWAY HARBOUR EXTENSION

Title:
**LOUGH ATALIA BRIDGE
 REGRADING AND REALIGNMENT
 & STORM DRAINAGE**

Scale: **AS SHOWN**
 Prepared by: **JOM** Checked: **JPK** Date: **JAN 14**
 Project Director: **JOHN P KELLY**
 Drawing Status: **PLANNING & EIS**



Drainage Network Plan
 Scale 1/500 (A3)
 1/250 (A1)